

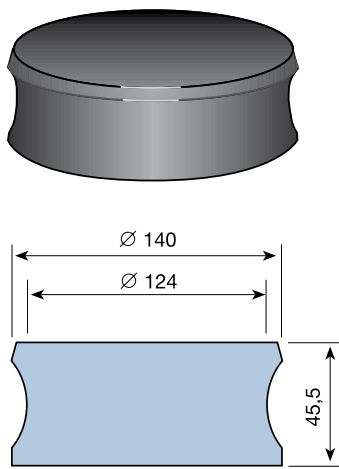
RUBBER BLOCKS AND MATS

There are different mats, in different sizes, rubber grades and hardnesses. The most classic use is for damping high frequency vibrations without the need for any anchoring.

The user cuts them to the relevant size and can apply them using an adhesive, or simply by placing them on the base of the machine. In cases where contact with oils is foreseen, this should be indicated on the order.

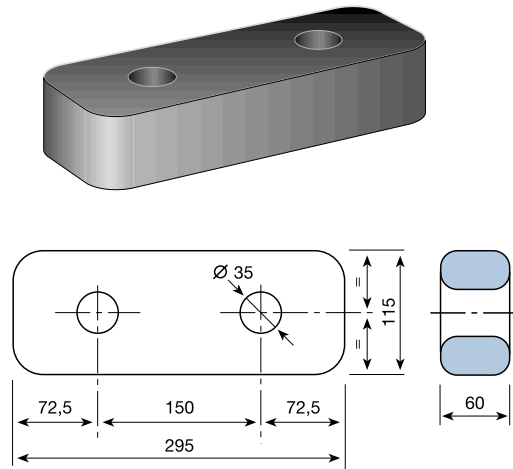
The mat will be more or less elastic or anti-skid, depending on the different models.

MECANOCAUCHO® TYPE T



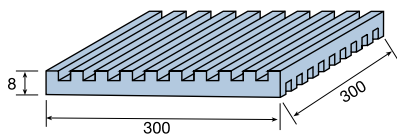
LOAD 1000 Kg. DEFLECTION 4 mm. Δ 60
CODE 141001

MECANOCAUCHO® TYPE C



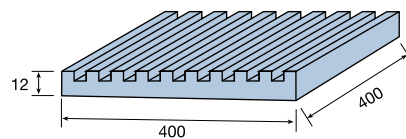
LOAD 3000 Kg. DEFLECTION 9 mm. Δ 60
CODE 141002

300 x 300



CODE 152001
MAXIMUM LOAD 4 kg./cm²

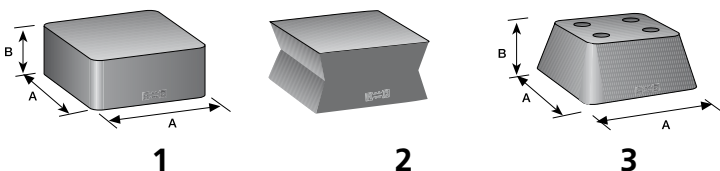
400 x 400



CODE 152003
MAXIMUM LOAD 6 kg./cm²

MECANOCAUCHO® BLOCKS

These are square antivibration mounts which are ideal for installation without any type of attachment or anchoring.



TYPE	CODE	DIMENSIONS mm.			LOAD Kg.		DEFLECTION MAX.mm.
		A	B	TYPE	MIN.	MAX.	
G-060	152005	70	30	1	180	300	3
G-070	152006	80	30	1	350	600	3
G-080	152007	80	50	2	200	500	5
G-090		100	60	3	200	500	8
G-110	152009	110	30	1	1600	3000	3