



AMC MECANOCAUCHO® BOBBINS

DESCRIPTION

The AMC Mecanocaucho® Bobbins are devices for making elastic anchorings or fixings. They can be used in a wide variety of applications, particularly for elastic suspensions and antivibration isolation of machines and different mechanical organs.

They are made of a block of rubber with two parallel metal parts at the end which enable it to be fixed either by screws in the "C" model or with nuts in the "A" model or a combination of both in the "B" model.

The rubber block may be cylindrical in cases requiring greater load capacity or as a diabolo when greater elasticity is required in all directions.

OPERATION AND ASSEMBLY

Its elasticity is much greater in all the directions parallel to the armatures than in the perpendicular direction. The rubber works based on compression or shear depending on the direction it is placed at installation time. This direction is made according to the use and the objective.

It is therefore installed with nuts or screws depending on the model chosen, with one part attached to the fixed chassis and the other to the machine to be suspended.

TECHNICAL CHARACTERISTICS

Depending on the size of the rubber block, the AMC Mecanocaucho® bobbing has more or less elasticity, which is greater particularly in all directions perpendicular to its axis (shear).

The AMC Mecanocaucho® bobbing thus makes it possible to make joints which permit major relative movements, up to several millimetres (in the case of heat expansion, chassis deformations, etc.).

The AMC Mecanocaucho® bobbing serves very well for the vibration isolation of machines where the vibrations are perpendicular to their axis, unless these stresses are too much when applied in this direction.

ADVANTAGES

- Easy to install.
- High elasticity (particularly transversal).
- Economical.

APPLICATIONS

The AMC Mecanocaucho® bobbins are particularly suitable for installation on small motor-pumps, motor-ventilators, driers, sieves, compactors, washing machines, electrical motors, on-board control panels, measuring apparatuses, control cabinets, microphones, fluorescent tubes, etc.

AMC MECANOCAUCHO® BOBBINS TYPE A

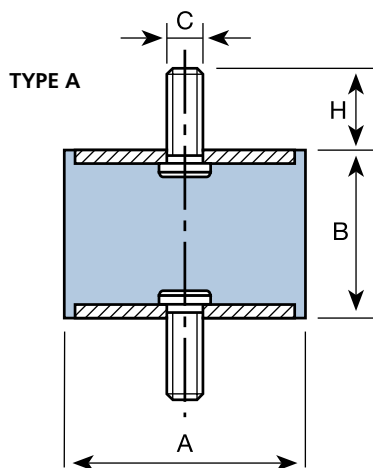
OPERATION AND ASSEMBLY

Their elasticity is much greater in all the directions parallel to the armatures than in the perpendicular direction. The rubber works based on compression or shear depending on the direction it is placed in at installation time. This direction is made according to the use and the objective.

It is therefore installed with nuts or screws depending on the model chosen, with one part attached to the fixed chassis and the other to the machine to be suspended.

APPLICATIONS

The AMC Mecanocaucho® bobbins are particularly suitable for installation on small motor-pumps, motor-ventilators, driers, sieves, compactors, washing machines, electrical motors, on-board control panels, measuring apparatuses, control cabinets, microphones, fluorescent tubes, etc.



A	B	C	H	COMPRESSION		SHEAR		CODE		
				LOAD max. daN	DEFLECT. m.m.	LOAD max. daN	DEFLECT. m.m.			
12,5	10	M-5	10	12	2	1,5	1,5	120001		
	15			10	3	1,5	2	120002		
	20			8	3,5	1,5	4	120003		
16	10	M-5	12	20	1,5	2,5	1,5	120011		
	15			20	3	2,5	2	120012		
	20			15	4	2,5	4	120013		
	25			15	5	2	5	120014		
20	8,5	M-6	16,5	40	1,5	5	1	120021		
	15			35	4	5	2,5	120022		
	20			30	5	5	3,5	120023		
	25			30	5,5	4,5	4,5	120024		
	30			25	7	4,5	4,5	120025		
25,5	10	M-6	18	80	2	8	1,5	120171		
	15			60	3,5	8	2,5	120172		
	20			55	4,5	8	3,5	120173		
	25			50	6	8	4,5	120174		
	30			50	8	8	6	120175		
	40			50	10	10	6	120026		
30	15	M-8	20	90	3	11	2,5	120041		
	22			80	5	11	4	120042		
	25			75	6,5	11	5	120186		
	30			70	8	11	6	120043		
	40			60	9	11	7,5	120044		
	20			M-8	20	160	5	20	3	120193
	25					150	6	20	3,5	120194
28	150	6	20			5,5	120195			
30	150	6	30			5,5	120196			
35	120	8	20			6,5	120197			
40	120	10	20			7,5	120198			
45	120	11	20			9	120199			
40	20	M-10	25	160	5	20	3	120051		
	25			150	6	20	3,5	120191		
	28			150	6	20	5,5	120052		
	30			150	6	30	5,5	120192		
	35			120	8	20	6,5	120053		
	40			120	10	20	7,5	120054		
	45			120	11	20	9	120055		
	20			M-10	25	300	5	25	3,5	120201
25	300	6	25			4,5	120061			
30	275	7	25			6,5	120202			
35	250	8	25			7	120062			
40	210	10	25			8	120203			
45	190	11	25			9	120063			
50	170	11	25			10,5	120204			
60	150	11	25			12	120064			
60	25	M-10	25	400	6	30	4,5	120071		
	36			300	9	30	7	120072		
	45			250	11	30	9	120073		
	60			200	12	30	10	120074		
70	35	M-10	25	450	8	35	6,5	120081		
	50			350	11	35	11	120082		
	60			300	12	35	13	120083		
	70			300	14	35	15	120084		
75	25	M-12	30	650	7	37	5	120091		
	40			500	9	37	7	120092		
	45			500	10	37	9	120093		
	55			450	11	37	11	120094		
80	30	M-14	35	950	7	40	5	120101		
	40			600	9	40	7	120102		
	50			550	10	40	8	120103		
	55			550	11	40	9	120104		
	70			500	13	40	15	120105		
	75			450	14	40	16	120106		
95	40	M-16	45	1.200	8	60	7	120111		
	55			1.000	11	60	8	120112		
	60			800	12	60	10	120113		
	75			700	13	60	14	120114		
	50			1.200	9	80	9	120121		
105	75	M-16	45	1.000	13	80	14	120122		
	100			800	16	80	16	120123		
	50			1.500	9	100	9	120131		
120	75	M-16	45	1.200	13	100	14	120132		
	100			1.000	16	100	16	120133		
	50			1.600	9	120	9	120142		
130	75	M-16	45	1.450	13	120	14	120143		
	100			1.200	16	120	16	120144		
	50			1.800	9	140	9	120151		
150	75	M-20	50	1.650	13	140	14	120152		
	100			1.400	16	140	16	120153		

NEW REFERENCES

AMC MECANOCAUCHO® BOBBINS TYPE B

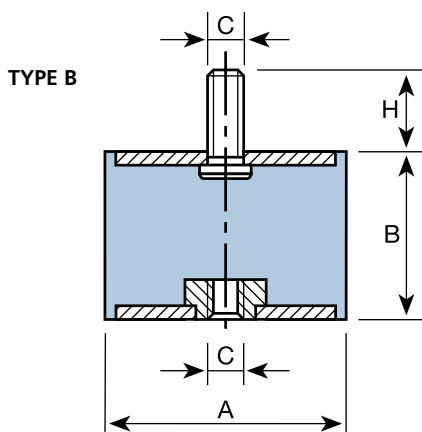
OPERATION AND INSTALLATION

Their elasticity is much greater in all the directions parallel to the armatures than in the perpendicular direction. The rubber works based on compression or shear depending on the direction it is placed in at installation time. This direction is made according to the use and the objective.

It is therefore installed with nuts or screws depending on the model chosen, with one part attached to the fixed chassis and the other to the machine to be suspended.

APPLICATIONS

The AMC Mecanocaucho® bobbins are particularly suitable for installation on small motor-pumps, motor-ventilators, driers, sieves, compactors, washing machines, electrical motors, on-board control panels, measuring apparatuses, control cabinets, microphones, fluorescent tubes, etc.



A	B	C	H	COMPRESSION		SHEAR		CODE
				LOAD max. daN	DEFLECT. m.m.	LOAD max. daN	DEFLECT. m.m.	
12,5	10	M-5	10	12	2	1,5	1,5	121001
	15			10	3	1,5	2	121002
	20			8	3,5	1,5	4	121003
16	10	M-5	12	20	1,5	2,5	1,5	121011
	15			20	3	2,5	2	121012
	20			15	4	2,5	4	121013
	25			15	5	2	5	121014
20	15	M-6	16,5	35	2,5	5	2,5	121022
	20			30	4,5	5	3,5	121023
	25			30	5,5	4,5	4,5	121024
	30			25	7	4,5	4,5	121025
25,5	15	M-6	18	60	2,5	8	2,5	121172
	20			50	3,5	8	3,5	121173
	25			50	6	8	4,5	121174
	30			50	7,5	8	6	121175
25,5	15	M-8	20	60	3,5	8	2,5	121031
	19			55	4,5	8	3,5	121032
	22			50	3,5	8	4	121033
	25			50	5	8	4,5	121034
	30			50	7,5	8	6	121035
	40			50	10	10	6	121036
30	15	M-8	20	90	3	11	2,5	121041
	22			80	4,5	11	4	121042
	25			75	6,5	11	5	121186
	30			70	7,5	11	6	121043
	40			60	9	11	7,5	121044
40	20	M-8	20	160	4	20	3	121193
	25			150	4,5	20	3,5	121194
	28			150	5	20	5,5	121195
	30			150	4,5	30	5,5	121196
	35			120	7,5	20	6,5	121197
	40			120	10	20	7,5	121198
	45			120	11	20	9	121199
	40			20	M-10	25	160	4
25		150	4,5	20			3,5	121191
28		150	5	20			5,5	121052
30		150	6	30			5,5	121192
35		120	7,5	20			6,5	121053
40		120	10	20			7,5	121054
45		120	11	20			9	121055
50	20	M-10	25	300	5	25	3,5	121201
	25			300	6	25	4,5	121061
	30			275	8	25	6,5	121202
	35			250	8	25	7	121062
	40			210	10	25	8	121203
	45			190	11	25	9	121063
	50			170	11	25	10,5	121204
60	25	M-10	25	400	6	30	4,5	121071
	36			300	8	30	7	121072
	45			250	10	30	9	121073
	60			200	12	30	10	121074
70	35	M-10	25	450	7,5	35	6,5	121081
	50			350	10	35	11	121082
	60			300	12	35	13	121083
	70			300	14	35	15	121084
75	25	M-12	30	650	7	37	5	121091
	40			500	9	37	7	121092
	45			500	10	37	9	121093
	55			450	11	37	11	121094
80	30	M-14	35	950	7	40	5	121101
	40			600	7	40	7	121102
	50			550	8	40	8	121103
	70			550	9	40	9	121104
	75			500	11	40	15	121105
95	40	M-16	45	1.200	8	60	7	121111
	55			1.000	10,5	60	8	121112
	60			800	9	60	10	121113
	75			700	11	60	14	121114
105	50	M-16	45	1.200	7	80	9	121121
	75			1.000	9	80	14	121122
	100			800	11	80	16	121123
120	50	M-16	45	1.500	9	100	9	121131
	75			1.200	10,5	100	14	121132
	100			1.000	11	100	16	121133
130	50	M-16	45	1.600	6	120	9	121142
	75			1.450	8	120	14	121143
	100			1.200	9	120	16	121144
150	50	M-20	50	1.800	5	140	9	121151
	75			1.650	6	140	14	121152
	100			1.400	8	140	16	121153

NEW REFERENCES

AMC MECANOCAUCHO® BOBBINS TYPE C

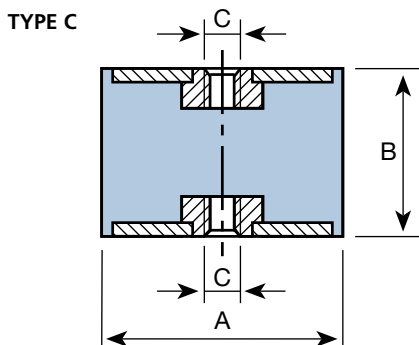
OPERATION AND INSTALLATION

Their elasticity is much greater in all the directions parallel to the armatures than in the perpendicular direction. The rubber works based on compression or shear depending on the direction it is placed in at installation time. This direction is made according to the use and the objective.

It is therefore installed with nuts or screws depending on the model chosen, with one part attached to the fixed chassis and the other to the machine to be suspended.

APPLICATIONS

The AMC Mecanocaucho® bobbins are particularly suitable for installation on small motor-pumps, motor-ventilators, driers, sieves, compactors, washing machines, electrical motors, on-board control panels, measuring apparatuses, control cabinets, microphones, fluorescent tubes, etc.



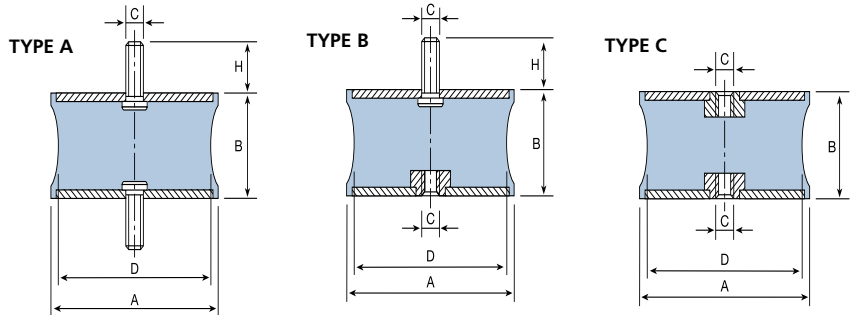
A	B	C	COMPRESSION		SHEAR		CODE
			LOAD max. daN	DEFLECT. m.m.	LOAD max. daN	DEFLECT. m.m.	
12,5	15	M-5	10	3	1,5	2	122002
	20		8	3,5	1,5	4	122003
16	20	M-5	15	4	2,5	4	122013
	25		15	5	2	5	122014
20	20	M-6	30	5	5	3,5	122023
	25		30	5,5	4,5	4,5	122024
	30		25	7	4,5	4,5	122025
25,5	20	M-6	55	4,5	8	3,5	122173
	25		50	6	8	4,5	122174
	30		50	8	8	6	122175
	19	M-8	55	4,5	8	3,5	122032
	22		50	5,5	8	4	122033
	25		50	6	8	4,5	122034
	30		50	8	8	6	122035
	40		50	10	10	6	122036
	22		M-8	80	5	11	4
25	75	6,5		11	5	122186	
30	70	8		11	6	122043	
40	60	9		11	7,5	122044	
40	25	M-8	150	6	20	3,5	122194
	28		150	6	20	5,5	122195
	30		150	6	30	5,5	122196
	35		120	8	20	6,5	122197
	40		120	10	20	7,5	122198
	45		120	11	20	9	122199
	28	M-10	150	6	20	5,5	122052
	30		150	6	30	5,5	122192
	35		120	8	20	6,5	122053
40	120		10	20	7,5	122054	
45	120		11	20	9	122055	
25	M-10		300	6	25	4,5	122061
30		275	7	25	6,5	122202	
35		250	8	25	7	122062	
40		210	10	25	8	122203	
45		190	11	25	9	122063	
50		170	11	25	10,5	122204	
60		150	11	25	12	122064	
25		M-10	400	6	30	4,5	122071
36	300		9	30	7	122072	
45	250		11	30	9	122073	
60	200		12	30	10	122074	
70	35	M-10	450	8	35	6,5	122081
	50		350	11	35	11	122082
	60		300	12	35	13	122083
	70		300	14	35	15	122084
75	40	M-12	500	9	37	7	122092
	45		500	10	37	9	122093
	55		450	11	37	11	122094
80	30	M-14	950	7	40	5	122101
	40		600	9	40	7	122102
	50		550	10	40	8	122103
	55		550	11	40	9	122104
	70		500	13	40	15	122105
	75		450	14	40	16	122106
95	40	M-16	1.200	8	60	7	122111
	55		1.000	11	60	8	122112
	60		800	12	60	10	122113
	75		700	13	60	14	122114
105	50	M-16	1.200	9	80	9	122122
	75		1.000	13	80	14	122123
	100		800	16	80	16	122124
120	50	M-16	1.500	9	100	9	122131
	75		1.200	13	100	14	122132
	100		1.000	16	100	16	122133
130	50	M-16	1.600	9	120	9	122142
	75		1.450	13	120	14	122143
	100		1.200	16	120	16	122144
150	50	M-20	1.800	9	140	9	122151
	75		1.650	13	140	14	122152
	100		1.400	16	140	16	122153

NEW REFERENCES

AMC MECANOCAUCHO® DIABOLO MOUNTS

APPLICATIONS

The AMC Mecanocaucho® Diabolo Mounts are particularly suitable for installation on small motor-pumps, motor-ventilators, driers, sieves, compactors, washing machines, electrical motors, on-board control panels, measuring apparatuses, control cabinets, microphones, fluorescent tubes, etc.



TYPE	A	B	C	D	H	COMPRESSION		SHEAR		CODE
						LOAD max. daN	DEFLECTION m.m.	LOAD max. daN	DEFLECTION m.m.	
F.000N	12	12	M-5	8	10	4	1.5	0,4	1.5	129001
F.00N	20	19	M-6	13.5	16.5	12	2.5	3	5	129002
F.3	30	25	M-8	24	20	40	5	4	4.5	129003
F.ON	40	28	M-10/M-8	19	25	30	5	2.5	4.5	129004
F.9	40	30	M-8	26	25	45	3	4	4.5	129005
F.7	44	42	M-8	25	25	50	6	9	6	129006
F.1	60	44	M-8	24	20	40	5	7	5	129007
F.2	60	44	M-8/M-10	34	20	75	5	12	6	129008
F.4	60	60	M-10	50	25	150	8	30	10	129009
F.8	60	36	M-10	37	25	100	7	20	8	129010
F.5	80	70	M-14	70	35	300	9.5	55	9,8	129011
F.6	95	76	M-16	80	45	400	9.5	70	8	129012

TYPE	A	B	C	D	H	COMPRESSION		SHEAR		CODE
						LOAD max. daN	DEFLECTION m.m.	LOAD max. daN	DEFLECTION m.m.	
F.000N	12	12	M-5	8	10	4	1,5	0,4	1.5	129101
F.00N	20	19	M-6	13,5	16,5	12	2,5	3	5	129102
F.3	30	25	M-8	24	20	40	5	4	4,5	129103
F.ON	40	28	M-10/M-8	19	25	30	5	2,5	4,5	129104
F.9	40	30	M-8	26	25	45	3	4	4,5	129105
F.7	44	42	M-8	25	25	50	6	9	6	129106
F.1	60	44	M-8	24	20	40	5	7	5	129107
F.2	60	44	M-8/M-10	34	20	75	5	12	6	129108
F.4	60	60	M-10	50	25	150	8	30	10	129109
F.8	60	36	M-10	37	25	100	7	20	8	129110
F.5	80	70	M-14	70	35	300	9,5	55	9,8	129111
F.6	95	76	M-16	80	45	400	9,5	70	8	129112

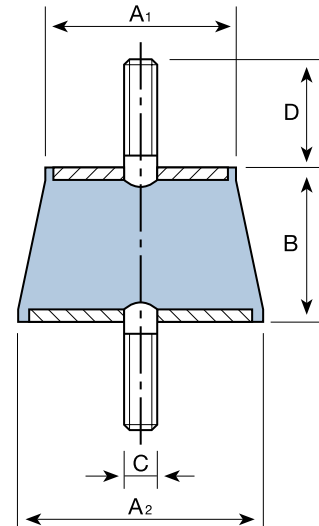
TYPE	A	B	C	D	H	COMPRESSION		SHEAR		CODE
						LOAD max. daN	DEFLECTION m.m.	LOAD max. daN	DEFLECTION m.m.	
F.00N	20	19	M-6	13.5	16.5	12	2.5	3	5	129202
F.3	30	25	M-8	24	20	40	5	4	4.5	129203
F.ON	40	28	M-10/M-8	19	25	30	5	2.5	4.5	129204
F.9	40	30	M-8	26	25	45	3	4	4.5	129205
F.7	44	42	M-8	25	25	50	6	9	6	129206
F.1	60	44	M-8	24	20	40	5	7	5	129207
F.2	60	44	M-8/M-10	34	20	75	5	12	6	129208
F.4	60	60	M-10	50	25	150	8	30	10	129209
F.8	60	36	M-10	37	25	100	7	20	8	129210
F.5	80	70	M-14	70	35	300	9.5	55	9,8	129211
F.6	95	76	M-16	80	45	400	9.5	70	8	129212

TRAPEZOID SUPPORTS AMC MECANOCAUCHO®

APPLICATIONS

Trapezoid mounts for ventilation boxes, small air-conditioning units, etc.

TYPE	DIMENSIONS m.m.					LOAD Kg.		CODE
	A ₁	A ₂	B	C	D	MIN	MAX	
A-35-b	30	40	24	M-8	24	3	30	131001
A-35	30	40	24	M-8	24	25	50	131002
A-45-b	40	50	34	M-8	24	50	70	131003
A-45	40	50	34	M-8	24	60	85	131004
A-60	60	65	48	M-12	Type c	85	150	131005
A-130	130	140	72	M-18	Type c	500	1000	131006



ANNULAR MOUNTS AMC MECANOCAUCHO®

APPLICATIONS

The AMC Mecanocaucho® ANNULAR MOUNTS are comprised of a rubber ring joined by two metal parts with screws for fixation. Thanks to their design, these antivibration mounts may insulate low frequencies with low loads.

TYPE	A	B	C	D	G	LOAD	DEFLECTION	CODE
						Kg.	mm.	
828	15	17	M-4	14	8	1,25	5	130003
829	15	17	M-4	14	8	2,5	5	130001
830	30	30	M-8	29	20	5	11	130004
831	30	30	M-8	29	20	5	11	130002

