



CABINE MOUNT

DESCRIPTION

The AMC-MECANOCAUCHO® cabin mount is composed of two main metal parts. Both metal parts are bonded to a high resilient rubber for optimum vibration isolation.

TECHNICAL CHARACTERISTICS

- This mount incorporates two bump shaped profiles in order to absorb dynamic loads or shocks. This feature is specially interesting for restricting the motion of the cabin under transient shocks.
- The metal parts are corrosion protected to cope with arduous environments on land or marine applications. RoHs compliant.
- The AMC-Mecanocaucho® cabin mount can be manufactured in other different rubber compounds in order to be suitable for different weight of cabins.

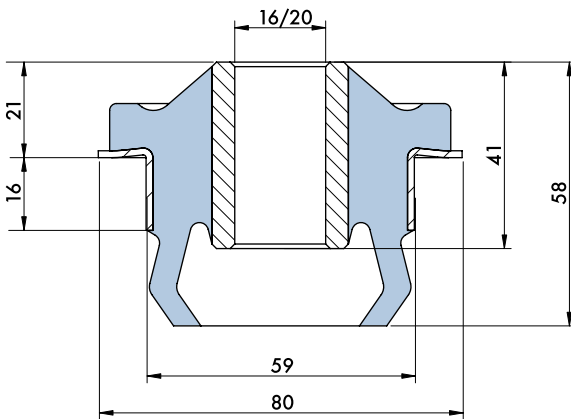
- Our technical department can give the correct recommendation in order to overpass ROPS tests on construction equipment machinery.

APPLICATIONS

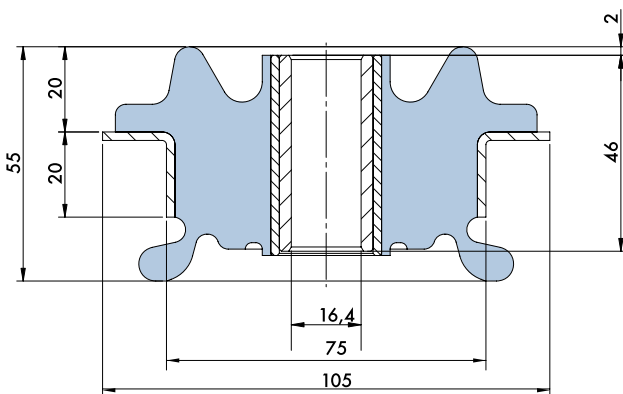
For the effective isolation of vibration and noise on cabins for the following purposes:

- Agricultural Tractors.
- Construction equipment machinery
- Off road vehicles.

CABINE MOUNT 85



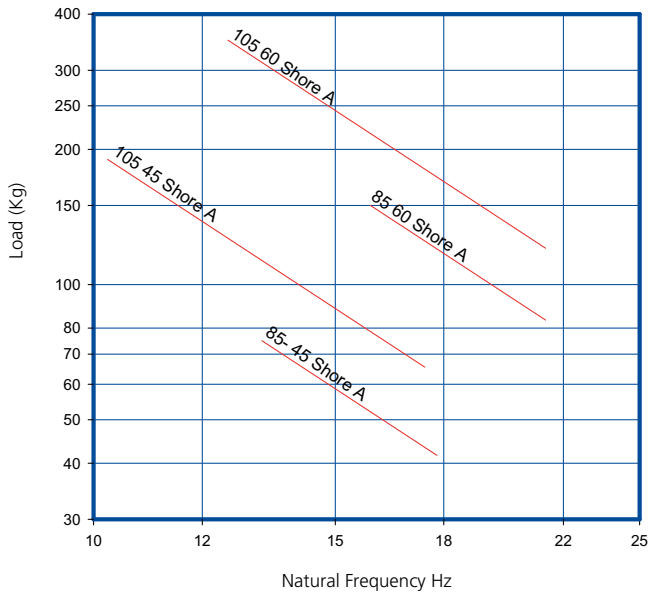
CABINE MOUNT 105



TYPE		CODE	CODE	WEIGHT
		45 shore Load (Kg.)	60 shore Load (Kg.)	
Cabine Mount 85	Ø16	137322	137323	300
	Ø20	137313	137311	300
Cabine Mount 105		75	150	
	Ø16	137301	137315	600
	Ø20	137302	137319	600
		190	350	

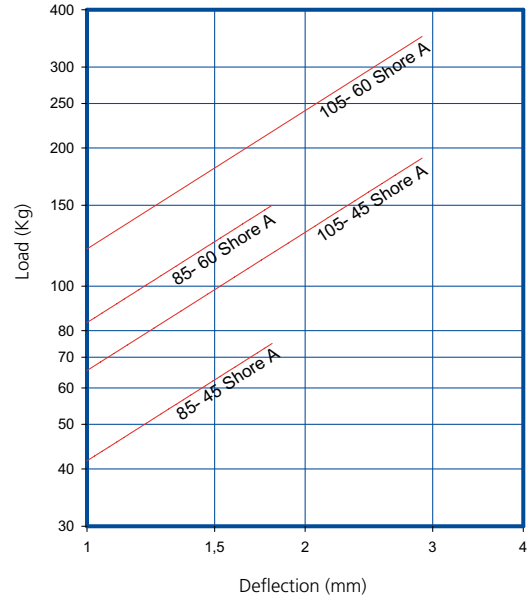
DYNAMIC CABINE MOUNT

AMC NATURAL FREQUENCIES
MECANOCAUCHO® DYNAMIC CABINE MOUNT



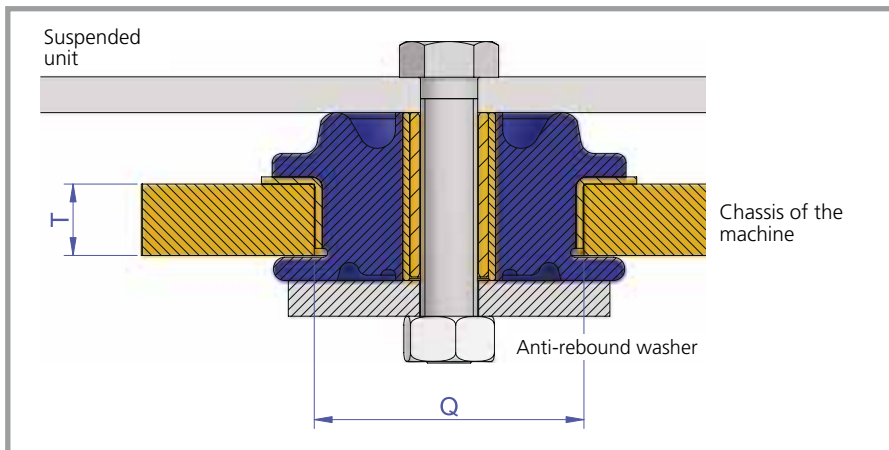
CABINE MOUNT DEFLECTION

AMC LOAD DEFLECTION GRAPHS
MECANOCAUCHO® CABINE MOUNT TYPE



REF	Q	T
Cabine Mount 85	60	16
Cabine Mount 105	75	20

- Assembly 1



- Assembly 2

