



DSD

DESCRIPTION

AMC DSD Mounts design provides excellent radial and axial flexibility making them most suitable for the suspension of machines where isolation of both vertical and horizontal vibration components occur .

DSD mounts comprise of two flat metal parts. Top metal part is circular with either a tapped central hole or interior welded nut for attachment to the machine frames. Lower metal part has an oval contour with two machined holes, one at each end, to securely attach the mountings to the support structure for the machine.

OPERATION AND ASSEMBLY

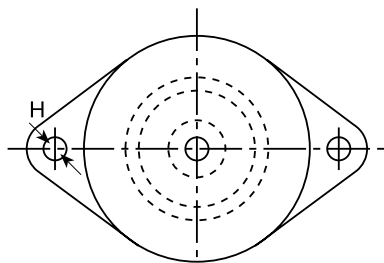
Both metal parts are fully bonded to the dome shaped circular rubber section during moulding.

The rubber section works in compression when loaded. In the event of shock inputs or accidental overloads the mountings will deflect vertically and horizontally, absorbing the energy.

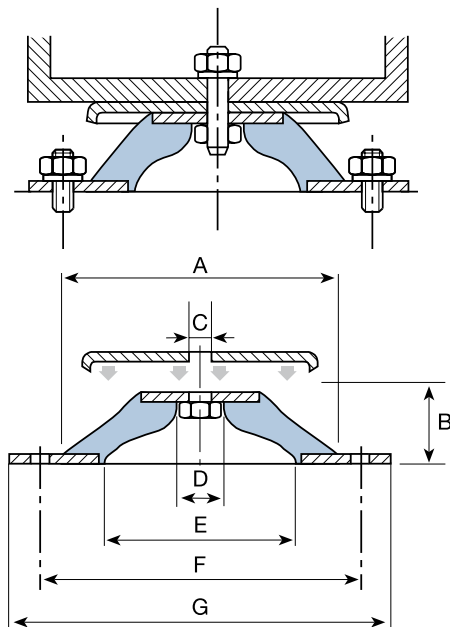
It is highly recommended that the metal Cups shown below are used on assembly to produce the progressive stiffening under dynamic load inputs.

Attachment of the mounts to the support structure can either be by the use of Set Screws, Bolts or by adapting the support structure to have threaded pins bonded / welded or previously grouted to the floor as in the case of concrete slabs.

For applications where high vibration isolation is needed, the DRD mounts should be referred to.



ASSEMBLIES



TECHNICAL CHARACTERISTICS

DSD mountings comparable stiffness vertically and horizontal making them very effective against random vibrations in either plane.

ADVANTAGES

- Simple to install, can be placed directly on the floor or ground due to the vertical flexibility of the rubber section without direct attachment .

Effectiveness – with three standard compounds available, identified by the hardness stamped on the base, Soft: hardness A 45, Medium: hardness B 60, Hard: hardness C 75), enabling the user to choose the most suitable mount for the load to be supported and the vibration frequency.

For extremely low vibration frequencies they can be mounted in series to provide additional vibration isolation, in certain cases it may be advisable to install an effective "Fail Safe" design to prevent over deflection.

- Speed of placement of the mount and easy movement of the machine to the required spot.

- Cost effective.

APPLICATIONS

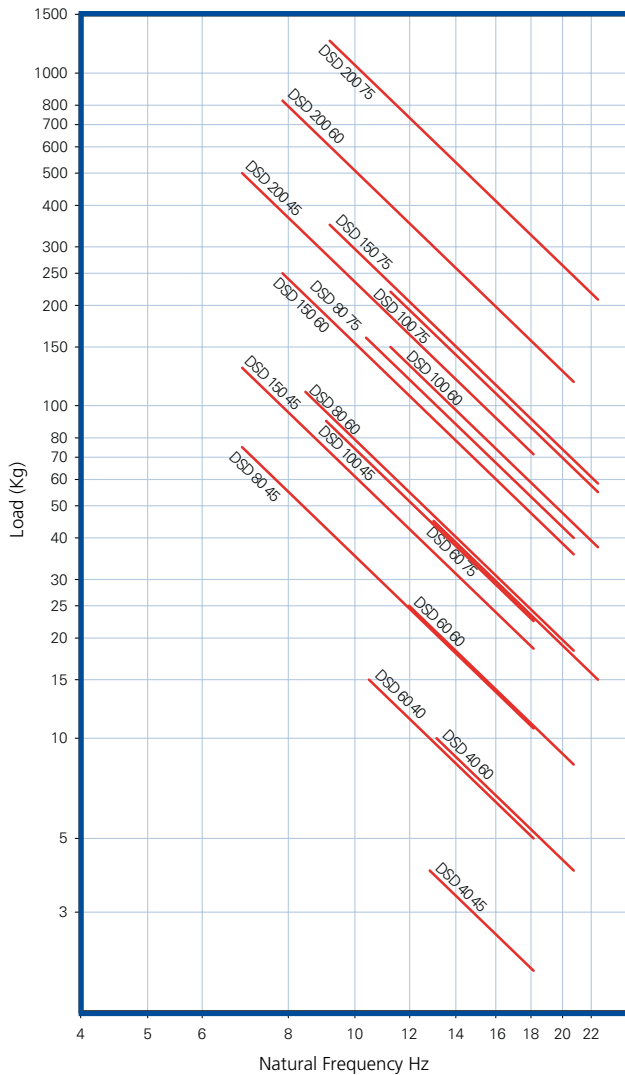
DSD mountings are particularly suitable for applications with low to medium dynamic amplitudes which enables the mountings stiffness rates to provide effective isolation .

Suitable for HVAC, Ventilators, rotating pumps, torque or frequency converters, electrical engines, etc.

| TYPE | A | B | C | D | E | F | G | H | AMC | CODE 45 Sh | CODE 60 Sh | CODE 75 Sh | WEIGHT (gr) |
|---------|-----|----|------|----|-----|-----|-----|------|----------------|------------|------------|------------|-------------|
| DSD 40 | 40 | 20 | M-6 | 19 | 29 | 52 | 64 | 6,25 | Ref | 134001 | 134002 | 134003 | 27 |
| | | | | | | | | | Ref.with hood | 134028 | 134029 | 134030 | |
| | | | | | | | | | Max. Load (kg) | 4 | 10 | 15 | |
| DSD 60 | 60 | 24 | M-6 | 14 | 34 | 76 | 95 | 6,5 | Ref | 134004 | 134005 | 134006 | 78 |
| | | | | | | | | | Ref.with hood | 134031 | 134032 | 134033 | |
| | | | | | | | | | Max. Load (kg) | 15 | 25 | 45 | |
| DSD 80 | 80 | 27 | M-8 | 25 | 65 | 100 | 120 | 8,2 | Ref | 134007 | 134008 | 134009 | 146 |
| | | | | | | | | | Ref.with hood | 134034 | 134035 | 134036 | |
| | | | | | | | | | Max. Load (kg) | 75 | 110 | 150 | |
| DSD 100 | 100 | 28 | M-10 | 22 | 70 | 124 | 148 | 10 | Ref | 134010 | 134011 | 134012 | 274 |
| | | | | | | | | | Ref.with hood | 134037 | 134038 | 134039 | |
| | | | | | | | | | Max. Load (kg) | 90 | 160 | 220 | |
| DSD 150 | 150 | 39 | M-14 | 34 | 115 | 182 | 214 | 12 | Ref | 134013 | 134014 | 134015 | 703 |
| | | | | | | | | | Ref.with hood | 134040 | 134041 | 134042 | |
| | | | | | | | | | Max. Load (kg) | 130 | 250 | 350 | |
| DSD 200 | 200 | 44 | M-18 | 35 | 140 | 240 | 280 | 14,5 | Ref | 134016 | 134017 | 134018 | 1758 |
| | | | | | | | | | Ref.with hood | 134043 | 134044 | 134045 | |
| | | | | | | | | | Max. Load (kg) | 500 | 825 | 1250 | |

DYNAMIC DSD

AMC NATURAL FREQUENCIES
MECANOCAUCHO® DSD TYPE



DEFLECTION DSD

AMC LOAD DEFLECTION GRAPHS
MECANOCAUCHO® DSD TYPE

