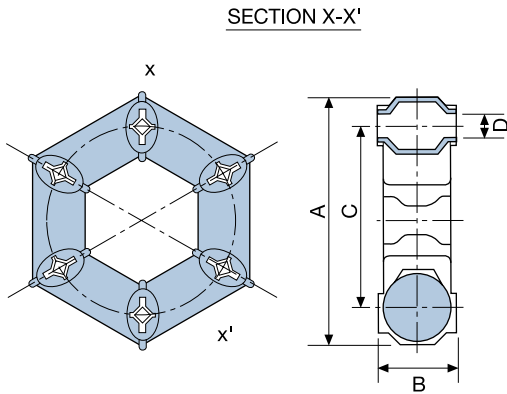


AMC MECANOCAUCHO® ELASTIC COUPLINGS

AMC MECANOCAUCHO® FLECTOR



REF. A.M.C.	CODE	nominal torque m. Kg.	R.P.M. max.	A	B	C installed	C free	D
Flector 4MKG	160201	4	6000	91	28	65	75	8
Flector 9MKG	160202	9	5000	117	32	85	96	10
Flector 16MKG	160203	16	4500	142	46	100	110	12
Flector 25MKG	160204	25	3500	181	51	132	146	14
Flector 35MKG	16020535	3000	202	54	150	170	108	18
Flector 50MKG	16020650	2800	232	62	170	195	20	20
Flector 70MKG	160207	70	2400	263	68	190	216	20

MECANOCAUCHO® D.P. TYPE

TYPE	REF. A.M.C. Element	REF. A.M.C. Hood	REF. A.M.C. Bushings	FORCE Kg.	A mm.	B mm.	C	D mm.	E mm.	F mm.	G mm.	H mm.
D.P.-2	160241	160251	160261	174	84	52	M-12	30	35	84.5	50	3
D.P.-4	160242	160252	160262	300	120	75	M-16	44	49	120	75	5
D.P.-6	160243	160253	160263	1000	220	137	M-24	80	80	20	133	10

