

EP + Sylomer® Mounts: Wall mounts

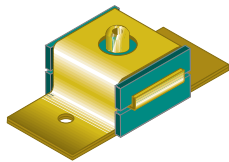
PRODUCT DESCRIPTION

Range designed for the floating suspension of soundproofed walls. Sylomer® avoids the transmission of vibrations while providing optimal acoustic results.

They have a "FAIL SAFE" rugged metal structure, which is overload-proof. Recommended for applications where fire or impact resistance is necessary.

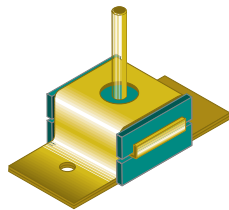
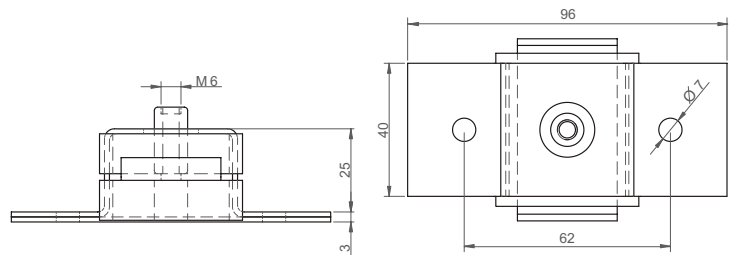
These mounts are also suitable for the isolation of vertical pipes, or any type of lightweight ducts that need to be isolated.

TYPE OF METAL ARMOR



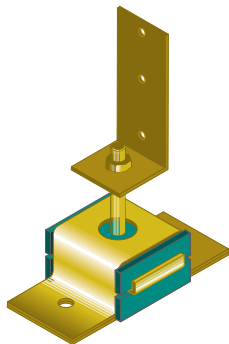
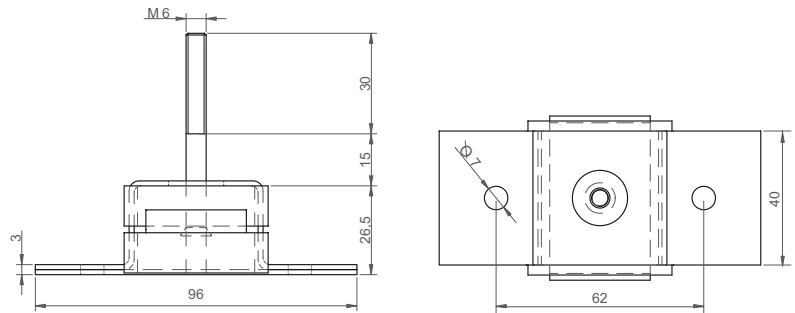
EP + Sylomer TYPE B

It is secured to the wall by means of two holes. It has a female M6 metal insert.



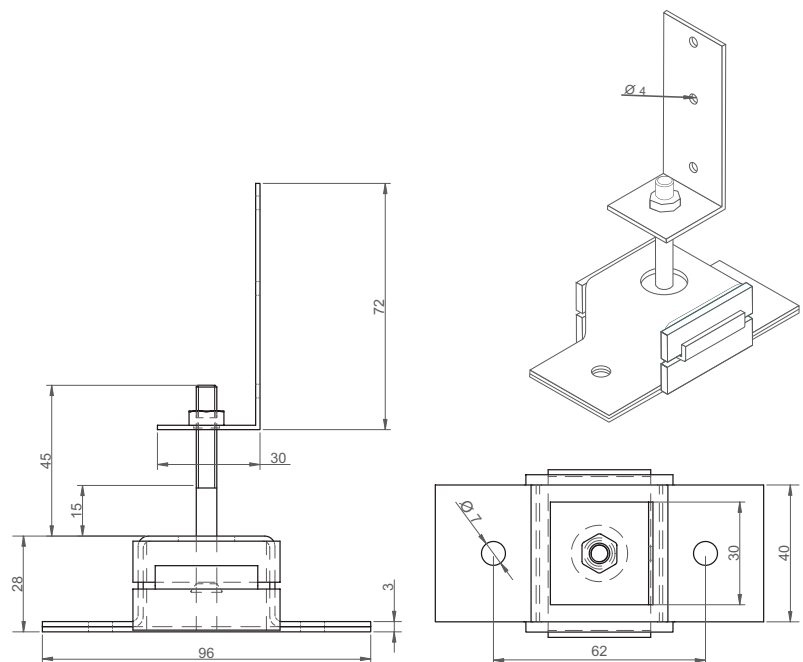
EP + Sylomer TYPE A

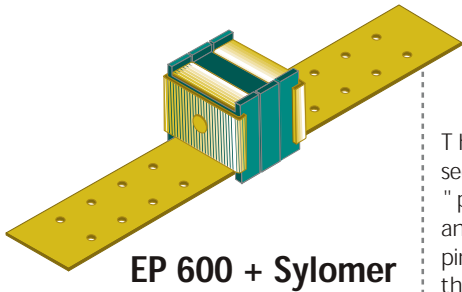
It is secured to the wall by means of two holes. It has a female M6 metal insert.



EP400 + Sylomer

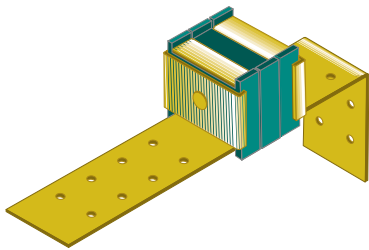
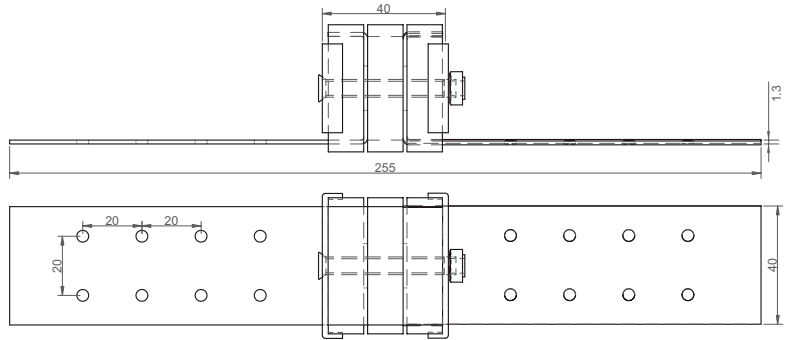
It is secured to the wall by means of two holes. It has a male M6 metal insert and also an "L" welded nut for securing to the profile





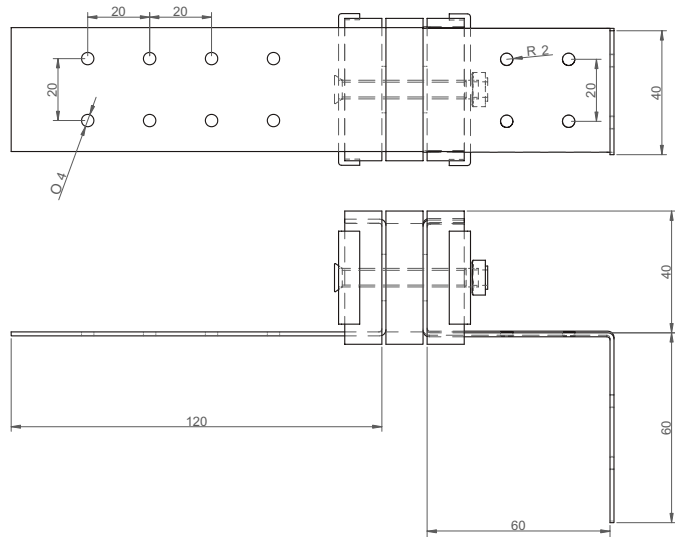
EP 600 + Sylomer

They are secured by two "predrilled" and easy-to-cut pins to facilitate their installation.



EP 650 + Sylomer

They are secured by two "predrilled" and bent pins to facilitate their installation.

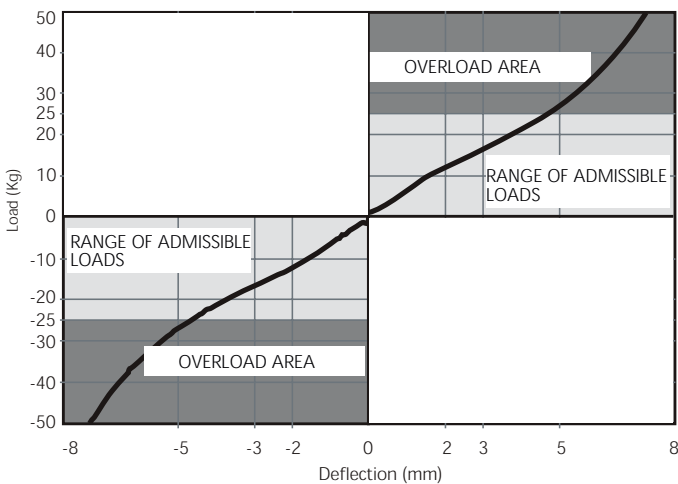


This principle can be used to make a wide range of variants.

Contact us if you require a product more adapted to your building technique.

TECHNICAL CHARACTERISTICS

LOAD DEFLECTION GRAPH
EP Akustik + Sylomer **25**



NATURAL FREQUENCY GRAPH
EP Akustik + Sylomer **25**

